

1-081SL Compression Latch Pr32x20 L22/28 SNAP-LINE

Tool-less installation, Tool operable, IP65, 10-20mm compression

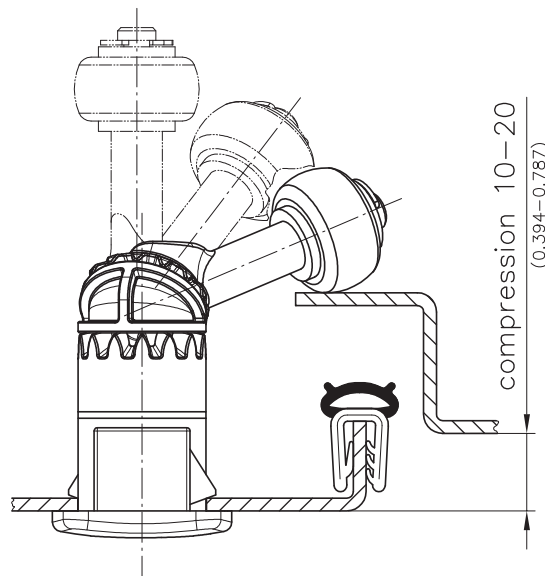
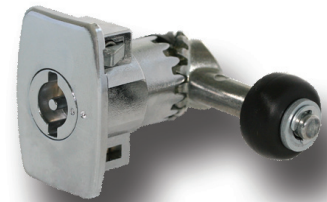


Product Notes:

- Vibration resistant
- Closing and opening operation 180°, with positive detent
- High contact pressure is achieved by the high planetary transmission ratio, compression 10-20mm
- Clamping Range $\text{\textcircled{S}}$ 0.4-4.0mm
- Pre-assembled Compression Latch can be installed in the cutout
- Installed by a simple push into the cutout
- Blind installation
- The roller on the cam prevents friction on the panel
- Water and dust tight according to IP65, DIN EN 60529
- RH and LH application
- Low profile
- Cutout - 32mmx20.1mm

Material:

- **Housing and insert:** Zinc Die, Chrome Plated
- **Cam:** Zinc Die, Zinc Plated
- **Wings:** Sintered Steel
- **Spring and Retaining washer:** Spring Steel
- **Washer:** Steel, Zinc Plated
- **Roller:** POM, Matt Black
- **Cover:** PA6, Black
- **O-Ring:** NBR, Black
- **Collar screw:** Steel



a) Bending $\text{\textcircled{Z}}$

a) The part number is a combination of 448-9101.00-XXXXX insert and clamping range.
For example: with insert double bit 5 and clamping range 1.3 - 2.0mm = 448-9101.00-03016

a) Control unit, completely pre-assembled 448-9101.00-XXXXX

Clamping Range	$\text{\textcircled{S}}$	$\text{\textcircled{S}}$	$\text{\textcircled{S}}$	$\text{\textcircled{S}}$	$\text{\textcircled{S}}$
	0.8 - 1.5	1.3 - 2.0	1.8 - 2.5	2.3 - 3.0	2.8 - 3.5
Insert - Square 8mm	01012	01016	01020	01026	01031
Insert - Double bit 3mm	02012	02016	02020	02026	02031
Insert - Double bit 5mm	03012	03016	03020	03026	03031

Further inserts on request.

b) Bending $\text{\textcircled{Z}}$

b) The part number is a combination of 448-9102.00-XXXXX insert and clamping range.
For example: with insert double bit 5 and clamping range 1.3 - 2.0mm = 448-9102.00-03016

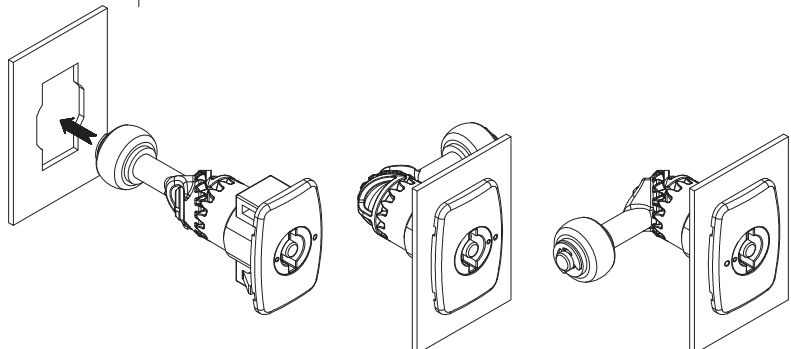
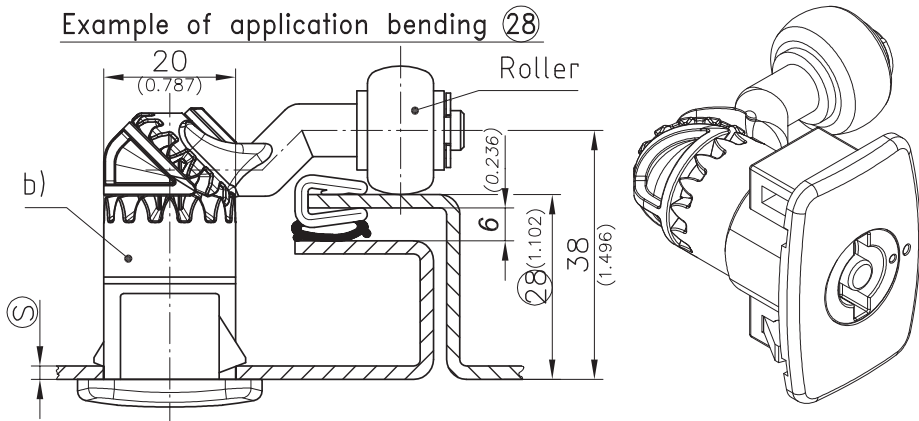
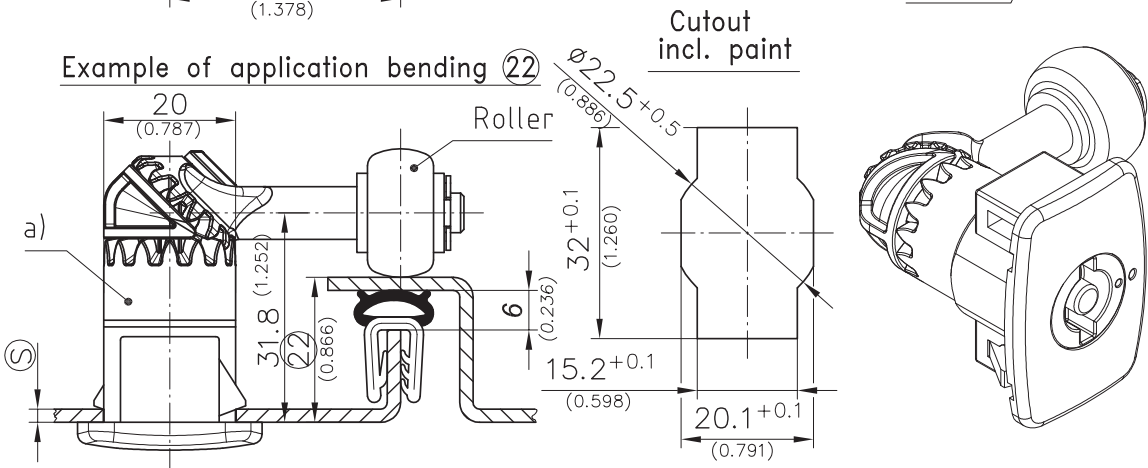
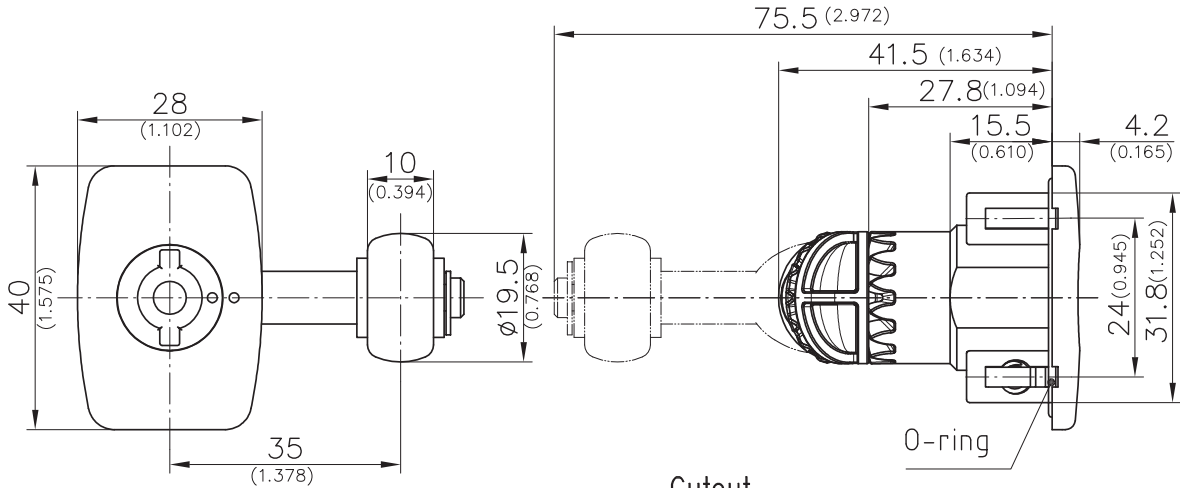
b) Control unit, completely pre-assembled 448-9102.00-XXXXX

Clamping Range	$\text{\textcircled{S}}$	$\text{\textcircled{S}}$	$\text{\textcircled{S}}$	$\text{\textcircled{S}}$	$\text{\textcircled{S}}$
	0.8 - 1.5	1.3 - 2.0	1.8 - 2.5	2.3 - 3.0	2.8 - 3.5
Insert - Square 8mm	01012	01016	01020	01026	01031
Insert - Double bit 3mm	02012	02016	02020	02026	02031
Insert - Double bit 5mm	03012	03016	03020	03026	03031

Further inserts on request.

1-081SL Compression Latch Pr32x20 L22/28 SNAP-LINE

Tool-less installation, Tool operable, 10-20mm compression



Installation completely pre-assembled, open position.

LH door

closed position

RH door